



# CATALOGUE



## A20-T Series 2 way Brass Electric Ball Valve A20-T系列两通黄铜电动球阀



T20-B2-A



T20-B2-B

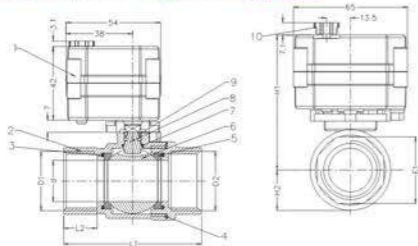


T20-B2-C

### Technical Parameters 技术参数:

Product size 口径	NPT/BSP 1/4" 3/8" 1/2" 3/4" 1" 1 1/4" (Optional)
Maximum working pressure 最大工作压力	1.0 MPa
Circulation medium 介质	Fluid, air
Working voltage 额定电压	DC5V DC12V DC24V AC/DC9-24V(Optional)
Wiring diagram 接线图	CR201 CR202 CR301 CR302 CR303 CR304 CR305 CR306 CR501 CR502 CR701 CR702 CR703 CR705 CR706 (Optional)
Working current 工作电流	≤500mA
Open/close time 开关时间	≤5S
Life time 寿命	70000 times (testing pressure is 0.4MPa, medium is water)
Valve body material 阀材质	Brass
Actuator material 执行器材质	Engineering Plastics
Sealing material 密封材料	FKM&PTFE
Actuator rotation 执行器旋转角度	90°
Torque force 扭力	2 N.m
Cable length 线长	0.5m,1.5m (Optional)
Environment temperature 环境温度	-15°C~50°C
Liquid temperature 液体温度	2°C~90°C
Manual override 手动功能	Yes No(Optional)
Open/close indicator 开关指示	Yes No(Optional)
Protection class 保护等级	IP67

### Assemble Diagram 组装图



### Components 组成

No.	Name	Material	Specification	Quantity
1	Actuator	PPO		1
2	Body & Cover	Brass		1
3	O-ring	FKM		2
4	Sealing	PTFE		2
5	Ball	stainless steel	304	1
6	Stem	Brass		2
7	O-ring	FKM		2

DESCRIPTION	D1/D2	d	L1	L2	E1	H1	H2
T8(1/4")Electric valve	1/4"	8	49	12	20.5	80.5	12
T10(3/8")Electric valve	3/8"	10	49	12	20.5	80.5	12
T15(1/2")Electric valve	1/2"	15	56	13	25	84	16
T20(3/4")Electric valve	3/4"	20	66	15	31	87	19
T25(1")Electric valve	1"	24	71	15	38	89	22
T32(1 1/4")Electric valve	1 1/4"	25	79	20	46	91	25

## A20-T Series 2 way Brass Electric Ball Valve(AC110-230V) A20-T系列两通黄铜电动球阀

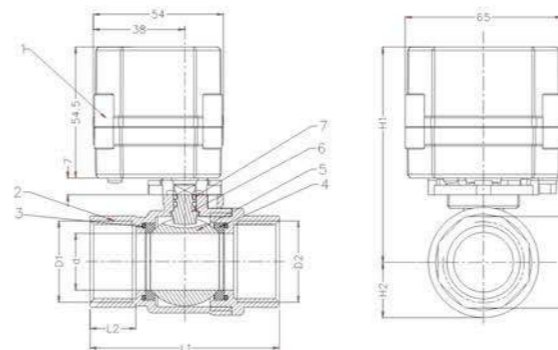
### Technical Parameters 技术参数:

Product size 口径	NPT/BSP 1/4" 3/8" 1/2" 3/4" 1" 1 1/4" (Optional)
Maximum working pressure 最大工作压力	1.0 MPa
Circulation medium 介质	Fluid, air
Working voltage 额定电压	AC/DC110-230V
Wiring diagram 接线图	CR202 CR303 CR305 CR306 CR401 CR502 CR703 CR704 CR705 CR706(Optional)
Working current 工作电流	≤500mA
Open/close time 开关时间	≤5S
Life time 寿命	70000 times (testing pressure is 0.4MPa, medium is water)
Valve body material 阀材质	Brass
Actuator material 执行器材质	Engineering Plastics
Sealing material 密封材料	FKM & PTFE
Actuator rotation 执行器旋转角度	90°
Torque force 扭力	2 N.m
Cable length 线长	0.5m,1.5m (Optional)
Environment temperature 环境温度	-15°C~50°C
Liquid temperature 液体温度	2°C~90°C
Manual override 手动功能	No
Open/close indicator 开关指示	Yes
Protection class 保护等级	IP67



T20-B2-C

### Assemble Diagram 组装图



### Components 组成

No.	Name	Material	Specification	Quantity
1	Actuator	PPO		1
2	Body & Cover	Brass		1
3	O-ring	FKM		2
4	Sealing	PTFE		2
5	Ball	Stainless Steel	304	1
6	Stem	Brass		1
7	O-ring	FKM		2

DESCRIPTION	D1/D2	d	L1	L2	E1	H1	H2
T8(1/4")Electric valve	1/4"	8	49	12	20.5	80.5	12
T10(3/8")Electric valve	3/8"	10	49	12	20.5	80.5	12
T15(1/2")Electric valve	1/2"	15	56	13	25	84	16
T20(3/4")Electric valve	3/4"	20	66	15	31	87	19
T25(1")Electric valve	1"	24	71	15	38	89	22
T32(1 1/4")Electric valve	1 1/4"	25	79	20	46	91	25



## A20-T Series 2 way SS304 Electric Ball Valve A20-T系列两通不锈钢电动球阀



T25-S2-A



T25-S2-B

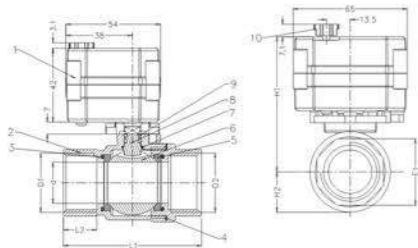


T25-S2-C

### Technical Parameters 技术参数:

Product size 口径	NPT/BSP 1/4" 3/8" 1/2" 3/4" 1" (Optional)
Maximum working pressure 最大工作压力	1.0 MPa
Circulation medium 介质	Fluid, air
Working voltage 额定电压	DC5V DC12V DC24V AC/DC9-24V(Optional)
Wiring diagram 接线图	CR201 CR202 CR301 CR302 CR303 CR304 CR305 CR306 CR501 CR502 CR701 CR702 CR703 CR705 CR706(Optional)
Working current 工作电流	≤500mA
Open/close time 开关时间	≤5S
Life time 寿命	70000 times (testing pressure is 0.4MPa, medium is water)
Valve body material 阀材质	SS304
Actuator material 执行器材质	Engineering Plastics
Sealing material 密封材料	FKM & PTFE
Actuator rotation 执行器旋转角度	90°
Torque force 扭力	2 N.m
Cable length 线长	0.5m, 1.5m (Optional)
Environment temperature 环境温度	-15℃~50℃
Liquid temperature 液体温度	2℃~90℃
Manual override 手动功能	Yes No(Optional)
Open/close indicator 开关指示	Yes No(Optional)
Protection class 保护等级	IP67

### Assemble Diagram 组装图



### Components 组成

No.	Name	Material	Specification	Quantity
1	Actuator	PPO		1
2	Body & Cover	Stainless Steel	304	1
3	O-ring	FKM		2
4	Sealing	PTFE		2
5	Ball	Stainless Steel	304	1
6	Stem	Stainless Steel	304	1
7	O-ring	FKM		2

DESCRIPTION	D1/D2	d	L1	L2	E1	H1	H2
T8(1/4")Electric valve	1/4"	10	51	12	21	70	14
T10(3/8")Electric valve	3/8"	10	51	12	21	70	14
T15(1/2")Electric valve	1/2"	15	63	14	25	70	17
T20(3/4")Electric valve	3/4"	20	72	17	31	74	20
T25(1")Electric valve	1"	25	81	18	38	82	24

## A20-T Series 2 way SS304 Electric Ball Valve(AC110-230V) A20-T系列两通不锈钢电动球阀

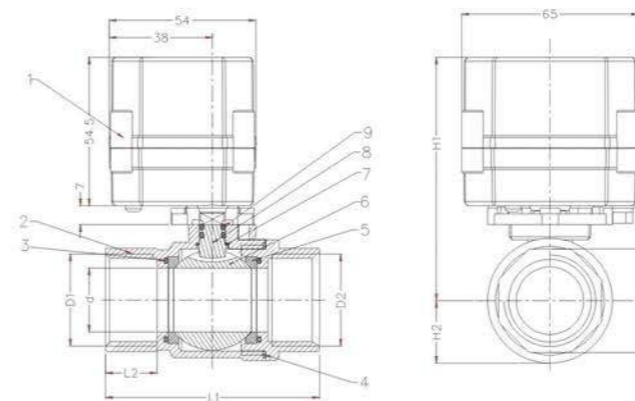
### Technical Parameters 技术参数:

Product size 口径	NPT/BSP 1/4" 3/8" 1/2" 3/4" 1" (Optional)
Maximum working pressure 最大工作压力	1.0 MPa
Circulation medium 介质	Fluid, air
Working voltage 额定电压	AC/DC110-230V
Wiring diagram 接线图	CR202 CR303 CR305 CR306 CR401 CR502 CR703 CR704 CR705 CR706(Optional)
Working current 工作电流	≤500mA
Open/close time 开关时间	≤5S
Life time 寿命	70000 times (testing pressure is 0.4MPa, medium is water)
Valve body material 阀材质	SS304
Actuator material 执行器材质	Engineering Plastics
Sealing material 密封材料	FKM & PTFE
Actuator rotation 执行器旋转角度	90°
Torque force 扭力	2 N.m
Cable length 线长	0.5m, 1.5m (Optional)
Environment temperature 环境温度	-15℃~50℃
Liquid temperature 液体温度	2℃~90℃
Manual override 手动功能	No
Open/close indicator 开关指示	Yes
Protection class 保护等级	IP67



T20-S2-C

### Assemble Diagram 组装图



### Components 组成

No.	Name	Material	Specification	Quantity
1	Actuator	PPO		1
2	Body & Cover	Stainless Steel	304	1
3	O-ring	FKM		2
4	Sealing	PTFE		2
5	Ball	Stainless Steel	304	1
6	Stem	Stainless Steel	304	1
7	O-ring	FKM		2

DESCRIPTION	D1/D2	d	L1	L2	E1	H1	H2
T8(1/4")Electric valve	1/4"	10	51	12	21	82	14
T10(3/8")Electric valve	3/8"	10	51	12	21	82	14
T15(1/2")Electric valve	1/2"	15	63	14	25	83	17
T20(3/4")Electric valve	3/4"	20	72	17	31	87	20
T25(1")Electric valve	1"	25	81	18	38	95	24

## A20-S Series 2 Way SS304 Timer Drain Valve A20-S系列两通不锈钢时间控制阀

### Technical Parameters 技术参数:

Product size 口径	NPT/BSP 1/4" 3/8" 1/2" 3/4" 1" (Optional)
Maximum working pressure 最大工作压力	1.0 MPa
Circulation medium 介质	Fluid, air
Valve open /closed time 开关时间	≤ 7S
Working voltage 工作电压	AC/DC9-24V AC/DC110-230V (Optional)
Keeping valve open time 阀开时间范围	00:00:00~99:59:59S
Keeping valve closed time 阀关时间范围	00:00:00~99:59:59S
Working current 工作电流	≤500mA
Stall current setting 堵转电流	0-599mA
Life time 寿命	70000 times (testing pressure is 0.4MPa, medium is water)
Valve body material 阀材质	SS304
Actuator material 执行器材质	PPO
Sealing material 密封材质	FKM & PTFE
Actuator rotation 执行器旋转角度	90°
Torque force 扭力	4N.m
Cable length 线长	0.5m, 1.5m (Optional)
Environment temperature 环境温度	-15°C~50°C
Liquid temperature 液体温度	2°C~90°C
Manual override 手动功能	No
Open/close indicator 开关指示	Yes
Protection class 保护等级	IP67



S20-S2-C

Patent Certificate No :  
 专利号 : ZL 2012 2 0538591.4  
 "Spring return" in case of power is failure  
 ( which is optional according to requirements )  
 可选功能-断电关阀

## A20-T Series 3 Way Vertical Brass Electric ball valve A20-T系列立式三通黄铜电动球阀

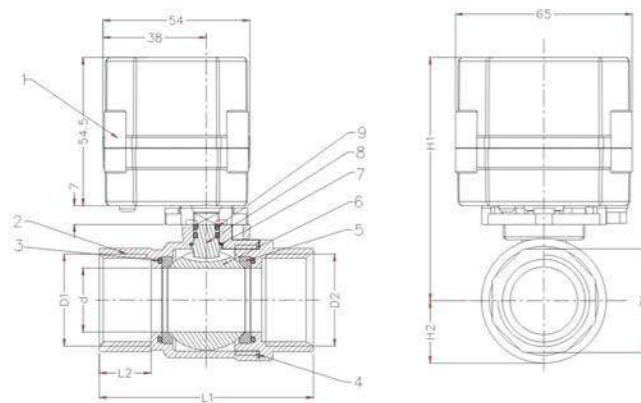
### Technical Parameters 技术参数:

Product size 口径	NPT/BSP 1/2" 3/4" 1" (Optional)
Maximum working pressure 最大工作压力	1.0 MPa
Circulation medium 介质	Fluid, air
Working voltage 额定电压	DC5V DC12V DC24V AC/DC9-24V AC/DC110-230V(Optional)
Wiring diagram 接线图	CR201 CR202 CR301 CR302 CR303 CR304 CR305 CR306 CR401 CR501 CR502 CR701 CR702 CR703 CR704 CR705 CR706(Optional)
Working current 工作电流	≤500mA
Open/close time 开关时间	≤5S
Life time 寿命	70000 times (testing pressure is 0.4MPa, medium is water)
Valve body material 阀材质	Brass
Actuator material 执行器材质	PPO
Sealing material 密封材料	FKM & PTFE
Actuator rotation 执行器旋转角度	90°
Torque force 扭力	2N.m
Cable length 线长	0.5m, 1.5m (Optional)
Environment temperature 环境温度	-15°C~50°C
Liquid temperature 液体温度	2°C~90°C
Manual override 手动功能	Yes No (Optional)
Open/close indicator 开关指示	Yes No (Optional)
Protection class 保护等级	IP67



T25-B3-C

### Assemble Diagram 组装图

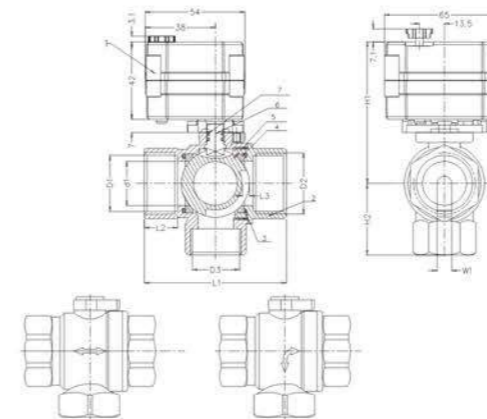


### Components 组成

No.	Name	Material	Specification	Quantity
1	Actuator	PPO		1
2	Body & Cover	Stainless Steel	304	1
3	O-ring	FKM		2
4	Sealing	PTFE		2
5	Ball	Stainless Steel	304	1
6	Stem	Stainless Steel	304	1
7	O-ring	FKM		2

DESCRIPTION	D1/D2	d	L1	L2	E1	H1	H2
T8(1/4")Electric valve	1/4"	10	51	12	21	82	14
T10(3/8")Electric valve	3/8"	10	51	12	21	82	14
T15(1/2")Electric valve	1/2"	15	63	14	25	83	17
T20(3/4")Electric valve	3/4"	20	72	17	31	87	20
T25(1")Electric valve	1"	25	81	18	38	95	24

### Assemble Diagram 组装图



### Components 组成

No.	Name	Material	Specification	Quantity
1	Actuator	PPO		1
2	Body & Cover	Brass		1
3	O-ring	FKM		2
4	Sealing	PTFE		2
5	Ball	Stainless Steel	304	1
6	Stem	Brass		1
7	O-ring	FKM		2

DESCRIPTION	D1/D2	d	W1	L1	L2	L3	H1	H2
T15(1/2")Electric valve	1/2"	12	7	58	10	3	70	27
T20(3/4")Electric valve	3/4"	15	7	66	16	3	71	31
T25(1")Electric valve	1"	24	8	73	16	4	77	40



## A20-T Series 3 Way Horizontal Brass Electric Ball Valve A20-T系列卧式三通黄铜电动球阀

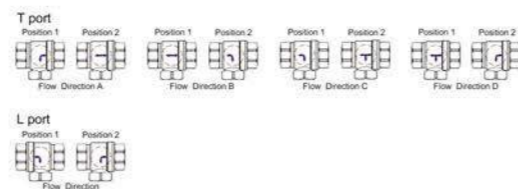
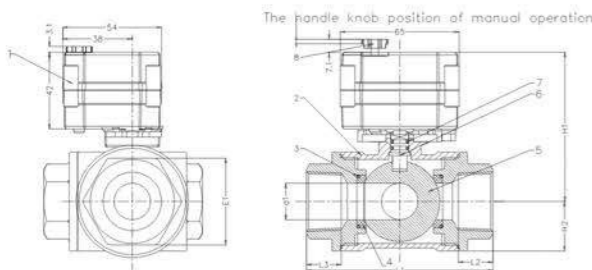
### Technical Parameters 技术参数:

Product size 口径	NPT/BSP 1/4" 3/8" 1/2" 3/4" 1" (Optional)
Maximum working pressure 最大工作压力	1.0MPa
Circulation medium 介质	Fluid, air
Rated voltage 额定电压	DC5V DC12V DC24V AC/DC9-24V AC/DC110-230V (Optional)
Wiring diagram 接线图	CR201 CR202 CR301 CR302 CR303 CR304 CR305 CR306 CR401 CR501 CR502 CR701 CR702 CR703 CR704 CR705 CR706 (Optional)
Working current 工作电流	≤500mA
Open/close time 开关时间	≤5S
Life time 工作寿命	70000 times (testing pressure is 0.4MPa, medium is water)
Valve body material 阀材质	Brass
Actuator material 执行器材质	PPO
Sealing material 密封材质	FKM & PTFE
Actuator rotation 执行器旋转角度	90°
Torque force 扭力	2N.m
Cable length 线长	0.5m, 1.5m (Optional)
Environment temperature 环境温度	-15℃~50℃
Liquid temperature 液体温度	2℃~90℃
Manual override 手动功能	Yes No (Optional)
Open/close indicator 开关指示	Yes No (Optional)
Protection class 保护等级	IP67



T20-B3-B

### Assemble Diagram 组装图



### Components 组成

No.	Name	Material	Specification	Quantity
1	Actuator	PPO		1
2	Body & Cover	Brass		1
3	O-ring	FKM		2
4	Sealing	PTFE		2
5	Ball	Stainless Steel	304	1
6	Stem	Brass		1
7	O-ring	FKM		2

DESCRIPTION	D1/D2	d	L1	L2/L3	E1	H1	H2
T8(1/4")Electric valve	1/4"	6	51	11	20.2	66	11
T10(3/8")Electric valve	3/8"	6	51	11	20.2	66	11
T15(1/2")Electric valve	1/2"	12	70	16	27	72	17
T20(3/4")Electric valve	3/4"	15	75	16	31	76.5	20.5
T25(1")Electric valve	1"	18	85	17	38	78	22.5

## A20-M Series 2 Way SS304 Modulating Ball Valve A20-M系列两通不锈钢调节阀

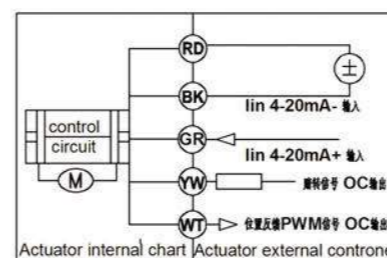
### Technical Parameters

Product size 口径	NPT/BSP 1/4" 3/8" 1/2" 3/4" 1" (Optional)
Maximum working pressure 最大工作压力	1.0MPa
Circulation medium 介质	Fluid, air
Rated voltage 额定电压	DC9-24V
control signal	4-20mA 0-5V 0-10V (Optional)
Wiring diagram 接线图	5 wire control with feedback signal
Working current 工作电流	≤500mA
Open/close time 开关时间	≤7S
Locked-rotor delay time 延长时间	2-4s
Position 位置	Any position (0~100% is ok)
Life time 工作寿命	70000 times (testing pressure is 0.4MPa, medium is water)
Valve body material 阀材质	SS304
Actuator material 执行器材质	PPO
Sealing material 密封材质	FKM & PTFE
Actuator rotation 执行器旋转角度	90°
Torque force 扭力	4 N.m
Cable Length 线长	0.5m 1.5m (Optional)
Environment temperature 环境温度	-15℃~60℃
Liquid temperature 液体温度	2℃~90℃
Manual override 手动功能	No
Open/close indicator 开关指示	Yes No (Optional)
Protection class 保护等级	IP67



M15-S2-C

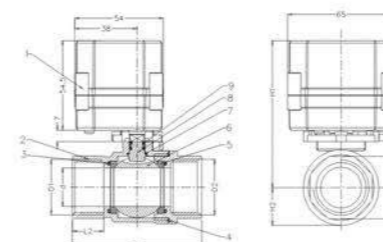
### Wiring Diagram 接线图



- 1、RD connect DC9~24V positive
- 2、BK connect DC9~24V-/4-20mA-/0-5V-/0-10V-
- 3、GR connect position input /control current +/ control voltage+(4-20mA, 0-5V, 0-10V)
- 4、YW connect ERR output, OC output
- 5、WT connect position feedback, OC output PWM signal

- 1、RD 电源+, 接DC9~24V正极
- 2、BK 电源-/位置输入-, 接DC9~24V负极, 4-20mA/0-5V/0-10V负载
- 3、GR 位置输入+, 控制电流/电压正极 (4-20mA/0-5V/0-10V)
- 4、YW 错误输出, OC输出
- 5、WT 位置反馈, OC输出PWM信号

### Assemble Diagram 组装图



### Components 组成

No.	Name	Material	specification	Quantity
1	Actuator	PPO		1
2	Body & Cover	Stainless Steel	304	1
3	O-ring	FKM		2
4	Sealing	PTFE		2
5	Ball	Stainless Steel	304	1
6	Stem	Stainless Steel	304	1
7	O-ring	FKM		2

DESCRIPTION	D1/D2	d	L1	L2	E1	H1	H2
T8(1/4")Modulating valve	1/4"	10	51	12	21	82	14
T10(3/8")Modulating valve	3/8"	10	51	12	21	82	14
T15(1/2")Modulating valve	1/2"	15	63	14	25	70	17
T20(3/4")Modulating valve	3/4"	20	72	17	31	74	20
T25(1")Modulating valve	1"	25	81	18	38	82	24

## Water Leak Protection 防漏水控制器

### Product Characteristic产品特点



W15-B2-C

- 外形小巧美观 (87\*71\*29mm), 便于安装。  
Small and beautiful shape to install easily.
- 电线采用防水快速接头, 拆卸方便。  
Using waterproof quick connection, disassemble easily.
- 铜制金属感应器灵敏度高, 快速检测漏水并及时关闭阀门。  
Brass sensors with high sensitivity, rapid detection and closed valves in time.
- 感应控制器全密封、防潮设计, 提高了产品使用寿命。  
Fully sealed and moisture-proof design, improve the product's life.
- 控制器面板配有指示图标和手动按键, 便于识别及操作 (手动按键: 电源键, 开阀键, 关阀键)。  
Control panel is easy to operate with indicator icon and manual button.
- 全金属齿轮结构设计, 提升了电动球阀的质量。  
Metal gears improve the quality of motorized valves.
- \*电池供电, 电量不足自动报警。  
Battery supply, auto alarm when power is lower.

### Product Parameter产品参数

阀体口径: 1/4" - 1"

Valve Size: 1/4" - 1"

阀体材质: 黄铜、铜镀镍、不锈钢

Valve Material: Brass, Nickel Plated Brass, SS304

工作电压: 3VDC (2节AA, 5号电池)

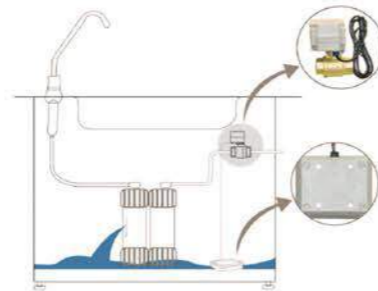
Working Voltage: 3VDC (2AA 5# Battery)

开关时间: 7S

Open/Closed Time: 7S

承受压力: 1.0Mpa

Maximum Working Pressure: 1.0Mpa



## A100 Series 2 Way PVC Electric Ball Valve A100系列两通PVC电动球阀

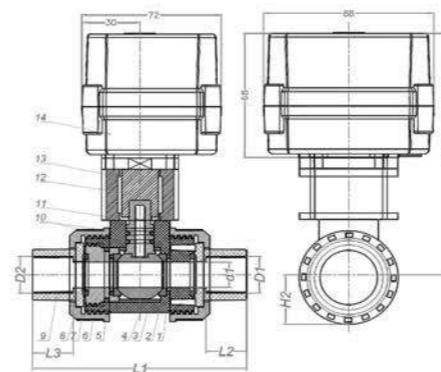
### Technical Parameters技术参数:

Product size 口径	NPT/BSP 1/2" 3/4" 1" 1 1/4" 1 1/2" 2" (Optional)
Maximum working pressure 最大工作压力	1.0MPa
Circulation medium 介质	Fluid, air
Rated voltage 额定电压	DC12V DC24V AC/DC9-24V AC/DC110-230V(Optional)
Wiring diagram 接线图	CR201 CR202 CR303 CR305 CR306 CR401 CR501 CR502 CR703 CR704 CR705 CR706(Optional)
Working current 工作电流	≤1A
Open/close time 开关时间	≤15S
Life time 工作寿命	70000 times (testing pressure is 0.4MPa, medium is water)
Valve Body material 阀材质	PVC
Actuator material 执行器材质	PPO
Sealing material 密封材质	EPDM & PTFE
Actuator rotation 执行器旋转角度	90°
Torque force 扭力	10N.m
Cable length 线长	0.5m, 1.5m (Optional)
Environment temperature 环境温度	-15°C~50°C
Liquid temperature 液体温度	2°C~90°C
Manual override 手动功能	No
Open/close indicator 开关指示	Yes
Protection class 保护等级	IP67



T40-P2-C

### Assemble Diagram 组装图



### Components 组成

No.	Name	Material	specification	Quantity
1	O-ring	EPDM/VITON		2
2	Sealing	PTFE		2
3	Valve body	UPVC		1
4	Ball	UPVC		1
5	O-ring	EPDM/VITON		2
6	Bonnet	UPVC		2
7	O-ring	EPDM/VITON		2
8	Gland	UPVC		2
9	Socket	UPVC		2
10	O-ring	EPDM/VITON		2
11	Stem	UPVC		1
12	Coupling	Stainless steel		1
13	Holder	Stainless steel		1
14	Actuator	PPO		1

DESCRIPTION	D1/D2	d	L1	L2/L3	H1	H2
T15(1/2") Electric valve	1/2"	15	104.8	22.3	130	27.5
T20(3/4") Electric valve	3/4"	20	113	25.5	134.5	32
T25(1") Electric valve	1"	25	127	28.6	146.3	37.5
T32(1 1/4") Electric valve	1 1/4"	32	142	32	156.8	42.75
T40(1 1/2") Electric valve	1 1/2"	40	157	35	163.6	50
T50(2") Electric valve	2"	50	174	36	185	59



## A100-T Series 2 Way SS304 Electric Ball Valve

### A100-T 系列两通不锈钢电动球阀

#### Technical Parameters 技术参数:

Product size 口径	NPT/BSP 1 1/4" 1 1/2" 2" (Optional)
Maximum working pressure 最大工作压力	1.0MPa
Circulation medium 介质	Fluid, air
Rated voltage 额定电压	DC12V DC24V AC/DC9-24V AC/DC110-230V((Optional)
Wiring diagram 接线图	CR201 CR202 CR303 CR401 CR501 CR502 CR703 CR704 CR705 CR706 (Optional)
Working current 静态电流	≤1A
Open/close time 开关时间	≤15S
Life time 工作寿命	70000 times (testing pressure is 0.4MPa, medium is water)
Valve body material 阀体材质	SS304
Actuator material 执行器材质	PPO
Sealing material 密封材质	FKM & PTFE
Actuator rotation 执行器旋转角度	90°
Torque force 扭力	10N.m
Cable length 线长	0.5m 1.5m (Optional)
Environment temperature 环境温度	-15°C~50°C
Liquid temperature 液体温度	2°C~90°C
Manual override 手动	No
Open/close indicator 开关指示	Yes
Protection class 保护等级	IP67



T32-S2-C

## A100-T Series Electric 3 Way Electric SS304 Ball Valve

### A100-T 系列三通不锈钢电动球阀

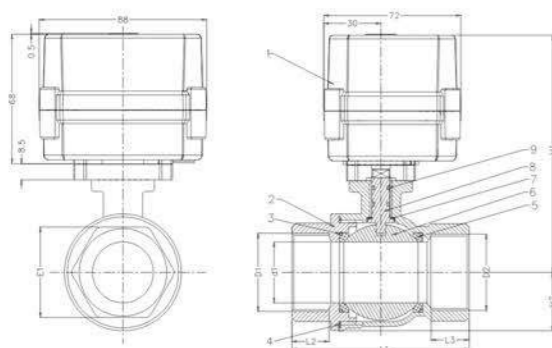
#### Technical Parameters 技术参数:

Product size 口径	NPT/BSP 1/2" 3/4" 1" (Optional)
Maximum working pressure 最大工作压力	1.0MPa
Circulation medium 介质	Fluid, air
Rated voltage 额定电压	DC12V DC24V AC/DC9-24V AC/DC110-230V((Optional)
Wiring diagram 接线图	CR201 CR202 CR303 CR401 CR501 CR502 CR703 CR704 CR705 CR706 (Optional)
Static current 静态电流	≤1A
Open/close time 开关时间	≤15S
Life time 工作寿命	70000 times (testing pressure is 0.4MPa, medium is water)
Valve body material 阀体材质	SS304
Actuator material 执行器材质	PPO
Sealing material 密封材质	FKM & PTFE
Actuator rotation 执行器旋转角度	90°
Toque force 扭力	10N.m
Cable length 线长	0.5m, 1.5m (Optional)
Environment temperature 环境温度	-15°C~50°C
Liquid temperature 液态温度	2°C~90°C
Manual override 手动	No
Indicator 指示	Yes
Protection class 保护等级	IP67



T25-S3-C

#### Assemble Diagram 组装图

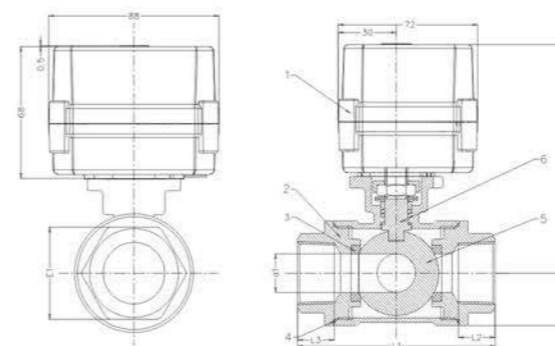


#### Components 组成

No.	Name	Material	specification	Quantity
1	Actuator	PPO		1
2	Body & Cover	stainless steel	304	1
3	O-ring	FKM		2
4	Sealing	PTFE		1
5	Sealing	PTFE		2
6	Ball	stainless steel	304	1
7	Stem	stainless steel	304	1
8	O-ring	FKM		2

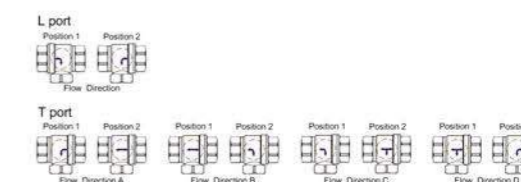
DESCRIPTION	D1/D2	d	L1	L2/L3	E1	H1	H2
T32(1 1/4")Electric valve	1 1/4"	32	102	23	47	122	31
T40(1 1/2")Electric valve	1 1/2"	38	115	25	52	130	36
T50(2")Electric valve	2"	50	130	25	66	138	45

#### Assemble Diagram 组装图



#### Components 组成

No.	Name	Material	specification	Quantity
1	Actuator	PPO		1
2	Body & Cover	stainless steel		1
3	Sealing	PTFE		1
4	Sealing	PTFE		2
5	Ball	stainless steel	304	1
6	Stem	stainless steel	304	1

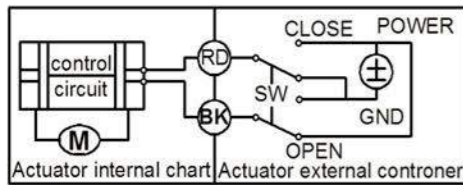


DESCRIPTION	D1/D2	d1	L1	L2/L3	E1	H1	H2
T15(1/2")Electric valve	1/2"	12	68	15	24.5	104	18
T20(3/4")Electric valve	3/4"	15	75	16	31	107	20
T25(1")Electric valve	1"	18	85	17	38.5	114.5	23.5



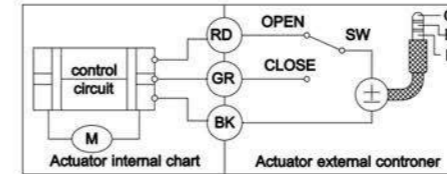
## Wiring Diagram

### CR2 01 Wiring Diagram ( 2 wires control )



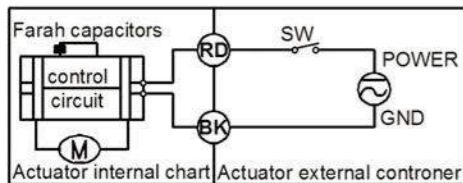
- RD connect with positive, the BK connect with negative, the valve closed, the actuator automatically power off after in place , the valve remains fully closed position .
- BK connect with positive, the RD connect with negative, the valve open, the actuator automatically power off after in place, the valve remains fully open position .
- Suitable Working Voltage: DC5V,DC12V,DC24V
- Exceeding the working voltage is forbidden

### CR3 04 Wiring Diagram ( 3 wires control )



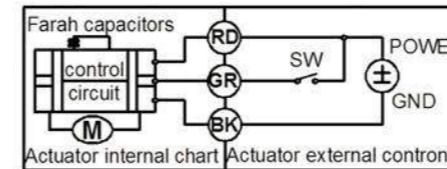
- RD & GR connected with positive, and the BK connected with negative
- When RD & SW connected, the valve closed, the actuator automatically power off after in place , remains fully closed position
- When GR & SW connected, the valve open, the actuator automatically power off after in place , remains fully open position.
- Suitable Working Voltage: DC5V,DC12V, DC9-24V
- Exceeding the working voltage is forbidden

### Cr2 02 Wiring Diagram ( 2 wires control – Spring return in case of the power is failure)



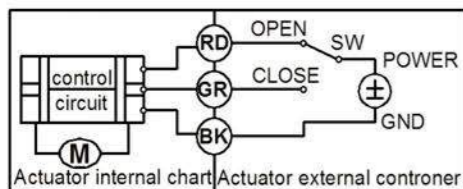
- When SW is closed , the valve OPEN. the actuator automatically power off after in place
- When SW is open, the valve CLOSED, the actuator automatically power off after in place
- Suitable Working Voltage: AC/DC9-24V AC110-230V
- Exceeding the working voltage is forbidden

### CR3 05 Wiring Diagram ( 3 wires control – Spring return in case of the power is failure)



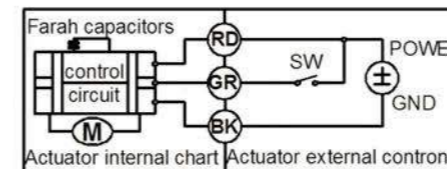
- RD & GR connect with positive, the BK connect with negative,
- SW CLOSED, the valve OPEN, the actuator automatically power off after in place
- SW OPEN, the valve CLOSED, the actuator automatically power off after in place.
- When external power off, the valve CLOSED, the actuator automatically power off after in place
- Suitable Working Voltage: AC/DC9-24V,AC110-230V
- Exceeding the working voltage is forbidden

### CR3 01 Wiring Diagram (3 wires control )



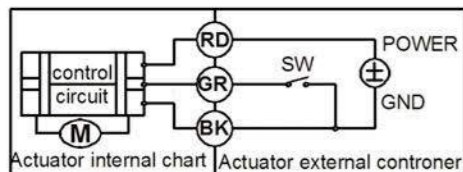
- RD & GR connect with positive, BK connect with negative
- When OPEN( RD ) & SW connected , the valve OPEN, the actuator automatically power off after in place , valve remains fully open position
- When CLOSE(GR) & SW connected, the valve CLOSED, the actuator automatically power off after in place, valve remains fully closed position.
- Suitable Working Voltage: DC5V,DC12V,DC24V,AC/DC9-24V
- Exceeding the working voltage is forbidden

### CR3 06 Wiring Diagram ( 3 wires control – Spring return in case of the power is failure)



- RD & GR connect with positive, the BK connect with negative,
- SW CLOSED, the valve OPEN, the actuator automatically power off after in place
- SW OPEN, the valve CLOSED, the actuator automatically power off after in place.
- When external power off, the valve OPEN, the actuator automatically power off after in place
- Suitable Working Voltage: AC/DC9-24V,AC110-230V
- Exceeding the working voltage is forbidden

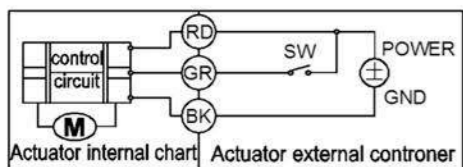
### CR3 02 Wiring Diagram (3 wires control )



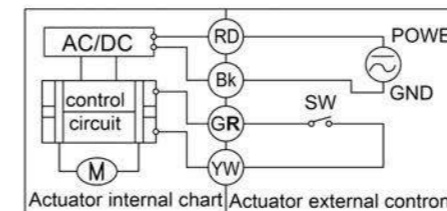
- RD connect with positive, the BK & GR connect with negative
- SW CLOSED, the valve OPEN, the actuator automatically power off after in place.
- SW OPEN, the valve CLOSED, the actuator automatically power off after in place.
- Suitable Working Voltage: DC9-24V
- Exceeding the working voltage is forbidden

### CR4 01 Wiring Diagram (4 wires control )

### CR3 03 Wiring Diagram (3 wires control)



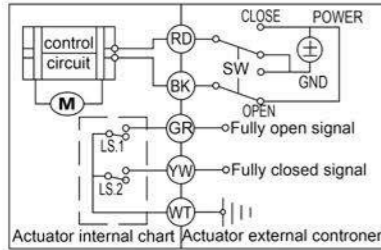
- RD & GR connect with positive, the BK connect with negative,
- SW CLOSED, the valve OPEN, the actuator automatically power off after in place
- SW OPEN, the valve CLOSED, the actuator automatically power off after in place.
- Suitable Working Voltage: AC/DC9-24V,AC110-230V
- Exceeding the working voltage is forbidden



- RD & BK are connected to the power, GR & YW are connected to the controlled wiring.
- When the SW is closed , the valve open
- When the SW is OPEN , the valve CLOSED Suitable Working Voltage:AC/DC110V-230V
- Exceeding the working voltage is forbidden
- The control wiring with power DC5V , when multiple motorized valves are working in parallel , must put the same color control wiring together, otherwise the valve could working normally .

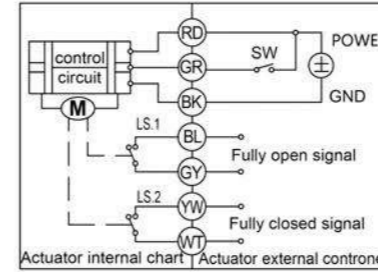


### CR5 01 Wiring Diagram ( with feedback signal)



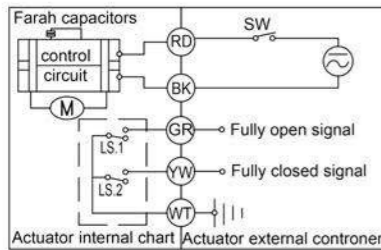
.RD connect with positive, the BK connect with negative, the valve closed, the actuator automatically power off after in place .  
 .BK connect with positive, the RD connect with negative , the valve open, the actuator automatically power off after in place .  
 .GR & WT connect with the valve's fully open signal wiring  
 .YW & WT connect with the valve's fully closed signal wiring.  
 Suitable Working Voltage:DC5V,DC12V,DC24V  
 Exceeding the working voltage is forbidden

### CR7 03 Wiring Diagram ( 7 wires control with feedback signal )



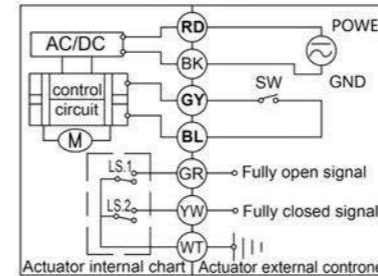
.RD & GR connect with positive, the BK connect with negative, after in place  
 .SW CLOSED, the valve OPEN, the actuator automatically power off after in place  
 .SW OPEN, the valve CLOSED, the actuator automatically power off after in place.  
 .BL & GY connect with the valve's fully open signal wiring  
 .YW & WT connect with the valve's fully closed signal wiring.  
 • Suitable Working Voltage: AC/DC9-24V,AC110-230V  
 • Exceeding the working voltage is forbidden

### CR5 02 Wiring Diagram ( with feedback signal)



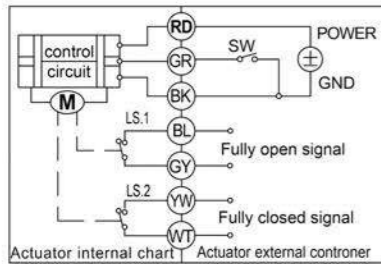
.When SW is closed , the valve OPEN. the actuator automatically power off after in place  
 .When SW is open, the valve CLOSED, the actuator automatically power off after in place  
 .GR & WT connect with the valve's fully open signal wiring  
 .YW & WT connect with the valve's fully closed signal wiring.  
 • Suitable Working Voltage: AC/DC9-24V, AC/DC110V-230V  
 • Exceeding the working voltage is forbidden

### CR7 04 Wiring Diagram ( 7 wires control with feedback signal )



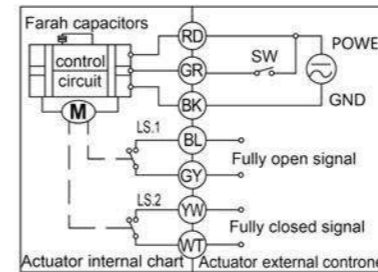
.RD & BK are connected to the power, BL & GY are connected to the controlled wiring.  
 .When the SW is closed , the valve open  
 .When the SW is open , the valve closed  
 .GR & WT connect with the valve's fully OPEN signal wiring  
 .YW & WT connect with the valve's fully CLOSED signal wiring.  
 Suitable Working Voltage: AC/DC110V-230V  
 Exceeding the working voltage is forbidden

### CR7 01 Wiring Diagram ( 7 wires control with feedback signal )



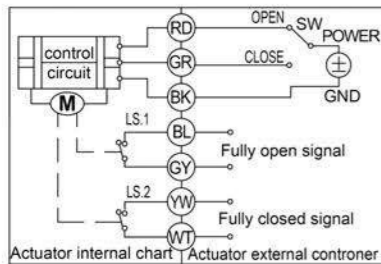
.RD connect with positive  
 .GR connect with SW and negative wiring  
 .BK connect with negative wiring  
 .When SW close. the valve OPEN, and keeping fully open.  
 .When SW open. the valve CLOSED, and keeping fully closed.  
 .BL & GY connect with the valve's fully open signal wiring  
 .YW & WT connect with the valve's fully closed signal wiring.  
 • Suitable Working Voltage: DC9-24V  
 • Exceeding the working voltage is forbidden  
 ※ Feedback with load ability :  
 ① The Max. off voltage: DC36V AC220V  
 ② The Max. off current: ≤0.4A

### CR7 05 Wiring Diagram ( 7wires control – Spring return in case of the power is failure)



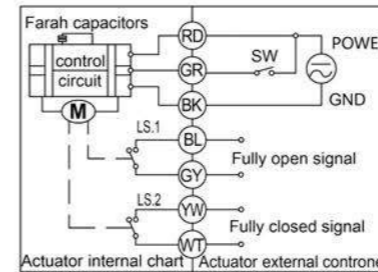
.RD & GR connect with positive, the BK connect with negative, after in place  
 .SW CLOSED, the valve OPEN, the actuator automatically power off after in place  
 .SW OPEN, the valve CLOSED, the actuator automatically power off after in place.  
 .When external power off, the valve closed, the actuator automatically power off after in place  
 .BL & GY connect with the valve's fully open signal wiring  
 .YW & WT connect with the valve's fully closed signal wiring.  
 • Suitable Working Voltage: AC/DC9-24V,AC110-230V  
 • Exceeding the working voltage is forbidden

### CR7 02 Wiring Diagram ( 7 wires control with feedback signal )



.RD & GR connect with positive, the BK connect with negative  
 .When RD & SW connected, the valve OPEN, the actuator automatically power off after the valve fully open.  
 . When GR & SW connected, the valve CLOSED, the actuator automatically power off after the valve fully closed.  
 .BL & GY connect with the valve's fully open signal wiring  
 .YW & WT connect with the valve's fully closed signal wiring.  
 • Suitable Working Voltage: DC5V,DC12V,DC24V  
 • Exceeding the working voltage is forbidden  
 ※ Feedback with load ability :  
 ① The Max. off voltage: DC36V AC220V  
 ② The Max. off current: ≤0.4A

### CR7 06 Wiring Diagram ( 7 wires control – Spring return in case of the power is failure)



.RD & GR connect with positive, the BK connect with negative, after in place  
 .SW CLOSED, the valve OPEN, the actuator automatically power off after in place  
 .SW OPEN, the valve CLOSED, the actuator automatically power off after in place.  
 .When external power off, the valve open, the actuator automatically power off after in place  
 .BL & GY connect with the valve's fully open signal wiring  
 .YW & WT connect with the valve's fully closed signal wiring.  
 • Suitable Working Voltage: AC/DC9-24V,AC110-230V  
 • Exceeding the working voltage is forbidden